



**Simplicity Bubblers**  
Chilled Beverage Dispensers 1x18 L,  
agitator model with locking lid and UK  
plug

ITEM # \_\_\_\_\_

MODEL # \_\_\_\_\_

NAME # \_\_\_\_\_

SIS # \_\_\_\_\_

AIA # \_\_\_\_\_



CCCRKU (ECSID22UK) \* NOT TRANSLATED \*

### Main Features

- Agitation function for fresh juices, coffees, or teas with minimal foaming system.
- Easy-off bowl release system for faster and easier assembly and disassembly.
- User friendly design enables machine to dispense product till the very last drop.
- Dispense 18 L in easy-clean bowl with 23 cm cup clearance.

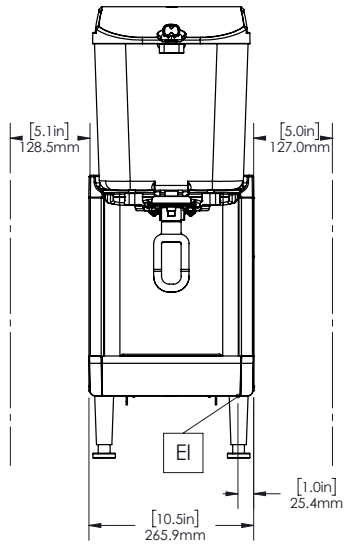
### Construction

- Compact size of 27 cm wide saves valuable counter space.
- Temperature range from 1.7 - 5° C.
- Refrigerant type: R290.
- Pre-mix dispenser with stainless steel base and clear plastic bowls.
- Fewer removable parts to simplify cleaning and reduce maintenance.
- The air intakes from the bottom and exhaust to back.
- Locking lid for added safety against tampering.

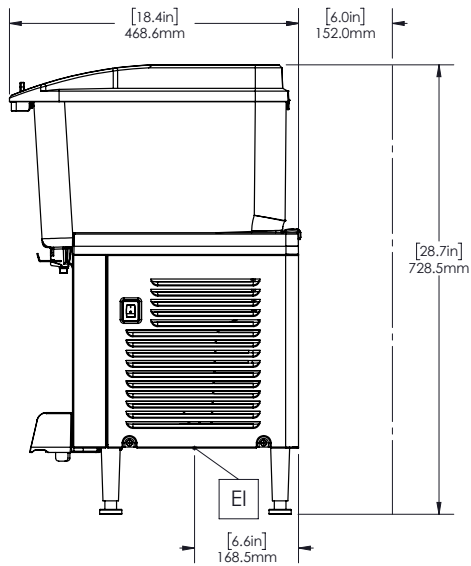
APPROVAL: \_\_\_\_\_



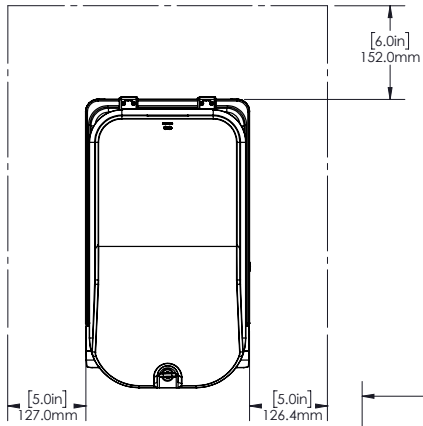
Front



Side



Top



**Electric**

|                        |                          |
|------------------------|--------------------------|
| Supply voltage:        | 220-240 V/1N ph/50/60 Hz |
| Electrical power max.: | 0.4 kW                   |

**Key Information:**

|                  |        |
|------------------|--------|
| Net weight:      | 20 kg  |
| Shipping weight: | 24 kg  |
| Shipping height: | 640 mm |
| Shipping width:  | 500 mm |
| Shipping depth:  | 390 mm |

**Sustainability**

|                     |      |
|---------------------|------|
| Refrigerant type:   | R290 |
| Refrigerant weight: | 50 g |